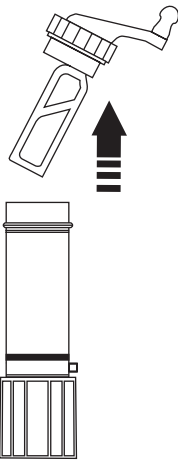


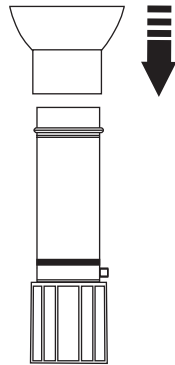




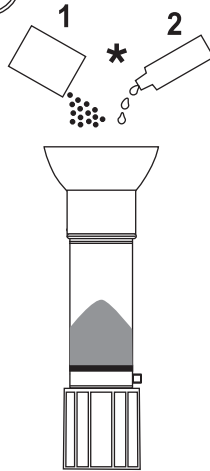
1



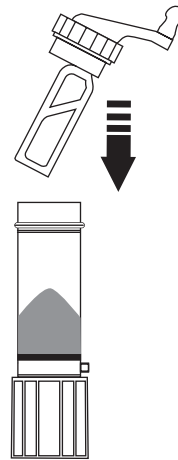
2



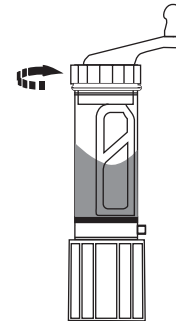
3



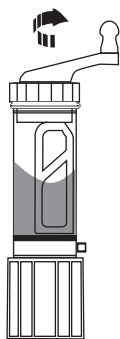
4



5



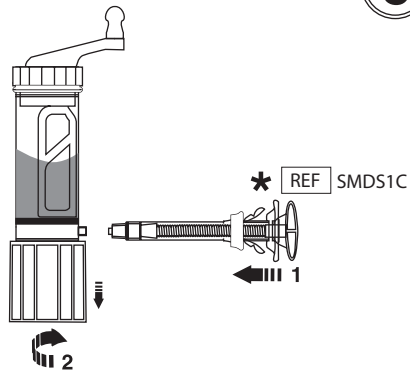
6



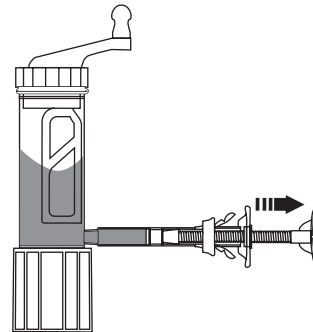
535 mm Hg  
21.06" Hg  
10.35 psi

565 mm Hg  
22.24" Hg  
10.93 psi

7



8



9

